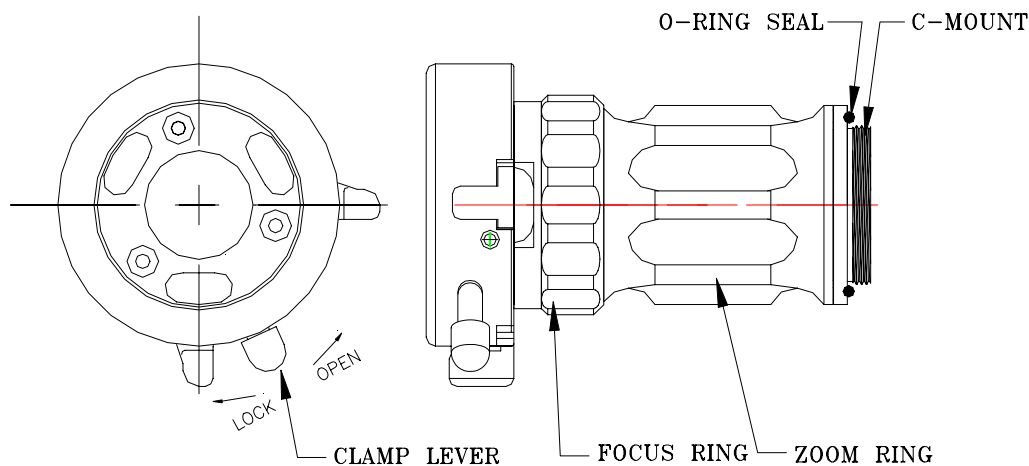


ACCU-Beam® Universal Zoom EndoAdaptor

Product No. 8020

User Instructions

The ACCU-Beam® Zoom EndoAdaptor is a precision optical instrument and should be handled with care. It features a multiple lens parfocal zoom system, which changes image magnifications from 22.5mm to 50mm without the need to adjust focus. The eyepiece clamp will accommodate a standard 32mm eyepiece.



U.S. Patent N. 6,113,533 / 6,155,973

Mounting the Camera:

1. The ACCU-Beam® Zoom EndoAdaptor screws into the c-mount thread of the video camera. **CAUTION – Do not over tighten.** The o-ring seal at the base of the c-mount thread creates watertight seal between the camera and adaptor.
2. Use the supplied auxiliary c-mount ring for cameras with a standard 17.5mm back focal distance. Note – other cameras may be used with a customized camera mount.

Mounting the Endoscope:

- 1. The eyepiece of the endoscope fits into the eyepiece clamp by moving the clamp lever to the open position, load the eyepiece and release.**
- 2. Even though the endoscope is firmly held in place, it can easily be rotated with the opposite hand. This may be necessary when using an angle viewing scope such as a 30° endoscope.**
- 3. To lock the endoscope, move the clamping lever to the lock position as far as possible and release. To unlock, move the clamping lever to the open position.**

Focusing: With illumination on, point the distal end of the endoscope at a target about 10cm away. Set zoom at mid range and move focus ring until image is in sharp focus.

Changing Magnification – Turn the zoom ring until the desired magnification is reached. The magnification can be changed at any time.

Cleaning, Disinfecting and Sterilization:

- 1. The Zoom EndoAdaptor is completely sealed, however it is recommended that the Camera Head and EndoAdaptor are to be attached for cleaning, disinfecting and sterilization. They should be threaded together until hand tight and their o-ring seals compressed. If they are soaked or sterilized apart, special care must be taken afterwards to ensure the Camera Head and EndoAdaptor interface is completely dry prior to attachment or fogging may occur.**

2. **Cleaning – Thoroughly clean with soap and water- then rinse. If the window requires additional cleaning, use lens paper or a soft cotton swab (without adhesive) dipped in reagent grade acetone. Optics should be cleaned in a circular motion from center to the outside. *CAUTION – Do not use alcohol or other cleaning agents on the lenses.***

3. **Soak Disinfecting – Using 25 activated glutaraldehyde solution, soak for 20 minutes at 20°C (68°F). Rinse 3 times with sterile water to remove residual glutaraldehyde. Use separate containers for each rinse. *CAUTION – Residual glutaraldehyde can be harmful to tissue causing chemical burns.***

4. **Sterilization – Steris, Sterrad or ETO. Note – After sterilization, wipe any moisture off the EndoAdaptor window with a sterile swab before mounting the endoscope to prevent fogging. *CAUTION – Do not autoclave.***

**Authorized Representative per Medical Device Directive
Hallmark International Management Consultants
Systems House, Westgate, Tadcaster
North Yorkshire LS24 9AA, UK**

ISO9001:1994
AMTAC Cert No. 163



**TRANSAMERICAN TECHNOLOGIES INTERNATIONAL
2264 Camino Ramon • San Ramon • CA 94583 USA
Tel: 925-355-0750 • 800-322-7373 • Fax: 925-355-0777
e-mail: ttimed@aol.com • website: www.ttimedical.com**